

Ethernet First Mile

Datasheet

Optinet U.K. Limited
Monometer House,
Rectory Grove,
Leigh on Sea,
Essex,
SS9 2HL
Tel: 020 3319 3701



1 The Service

1.1 Overview

Ethernet in the First mile is an affordable way to achieve greater, guaranteed symmetric bandwidth than is available using broadband, whilst maintaining an Ethernet handover interface.

It can reach speeds of up to 8 or 16 Mbps. Thanks to these identical upload and download speeds, EFM can support the VoIP and hosted solutions most businesses need.

The service is delivered using multiple standard copper telephone lines either in a bundle of 2 or 4 lines to build a single service.



EFM is an affordable way to improve your connectivity, and with ours you'll be getting the best value for money in the market. EFM avoids many of the high excess charges associated with installing traditional fibre, so you can lower spending at the same time as boosting your connectivity.

1.2 How will the solution benefit your business

Simple and transparent charges

Our simple pricing structure lets you choose the service and pricing that best meets your bandwidth needs. Two price points and no extra charges mean a fixed fee, so you can easily control your expenditure.

Switching is easy

We'll ensure a smooth transition onto our Next Generation Network through our highquality installation support. Our experienced site engineers will manage the practical aspects on the day of migration, making sure your switchover doesn't affect day-today business, so you can enjoy one of the largest next generation networks.

The right solution for you

Our dedicated account teams have business grade experience across diverse industry sectors. They're here to provide guidance targeted to your strategic goals, via a consultative process that ensures you'll receive the best solution for your business.

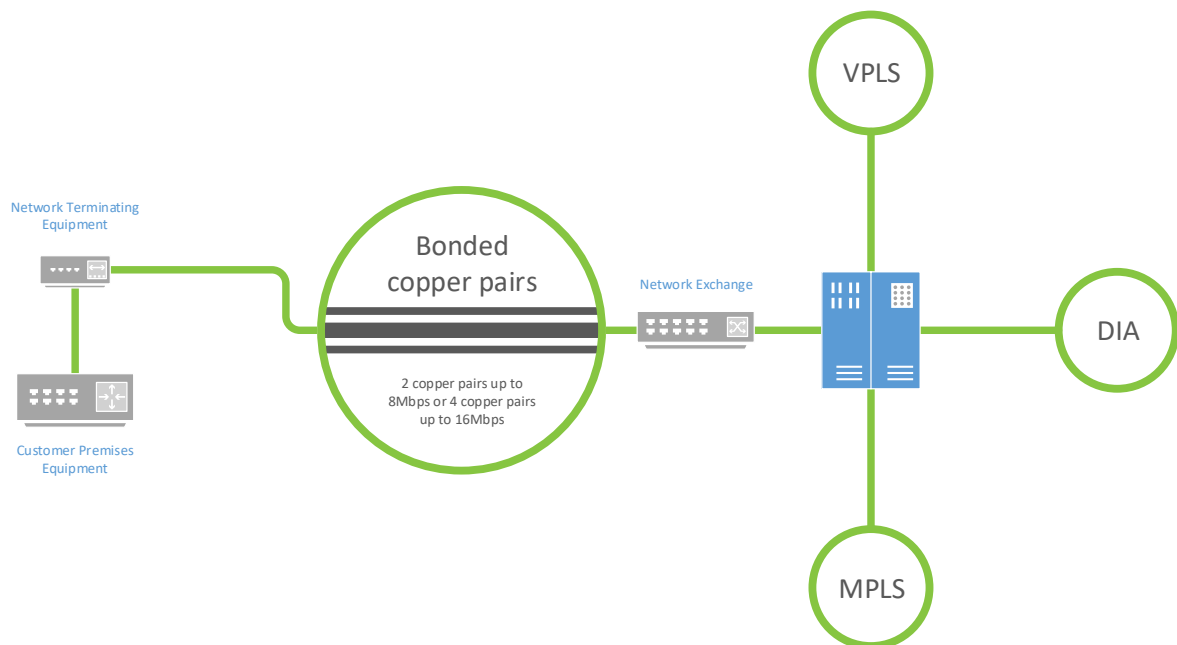
Fail-safe connectivity

EFM comes with business grade resilience. In the unlikely event of one copper pair failing, there is an automatic fail-safe without service interruption. By prioritising business traffic over residential, we'll ensure you still get the bandwidth you need to maintain business continuity. And should your service fail to meet business grade speeds we have a moneyback guarantee.

1.3 How it Works

Using openreach’s copper service we install either 2 or 4 copper pairs to your premises and use a Network Termination device to bond the lines back to the exchange. From the exchange we use fibre to connect in to our Next Generation Network.

Our NGN will provide either Direct Internet Access, MPLS or VPLS depending on your required solution.



1.4 Service Level Agreement

We pride ourselves on the level of support we deliver, and with our EFM service you’ll benefit from a business SLA to guarantee you’re communications are up and running.

Description	Measurement
Download	As quoted
Upload	As quoted
Contention	1:1
Response Time	1 Hour
Fix Time	8 Hours
Latency	<30ms
Jitter	<10ms